

**JFS - For removal of iron sludge from heating and cooling systems**

# JFS 65-200

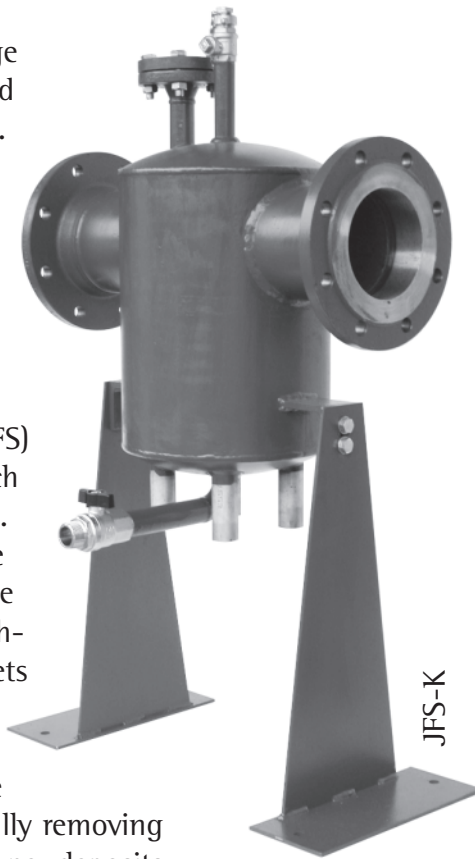
## JUDO FERROCLEAN - a sludge separator

The simple to rinse FERROCLEAN sludge separator includes a magnesium anode rod for removing oxygen by chemical bonding.

### Typical Application

Deposits of iron sludge that occur in heating and cooling systems cause system breakdowns which result in higher maintenance costs and higher energy consumption.

JUDO's FERROCLEAN sludge separators (JFS) are additional to the HEIFI-TOP series which treat pipe sizes up to (DN 50 and upward). They provide a simple and innovative solution to these problems: the iron sludge (magnetite) that occurs is deposited on high-performance magnets. When these magnets are deactivated, the sludge can be simply removed by back-washing (rinsing). An integrated magnesium anode rod gives additional protection by chemically removing unwanted oxygen on the spot, so that no deposits result. For back-washing use either the intrinsic medium (Closed Water Re-circulation) or an external medium such as feeding the Unit with liquid by way of the integrated raw water connection – ideally using the JUDO HEIFI-FÜL top-up unit. The FERROCLEAN is best installed directly upstream from the system that you wish to protect (e.g. boiler, heat exchangers or refrigeration unit).





## Scope of Delivery

- 1 welded steel container with flanges and supports
- 1 set of high-performance magnetic rods
- 1 magnesium anode rod
- 1 raw water connection (3/4")
- 1 discharge tap/port with valve (1")

## Model: JFS-H

designed for use with hot water up to a maximum temperature of 130° C/266° F, can be insulated.

## Model: JFS-K

designed for use with cold water above 6° C/42.8° F, high-performance magnets specially designed for protection against condensation.

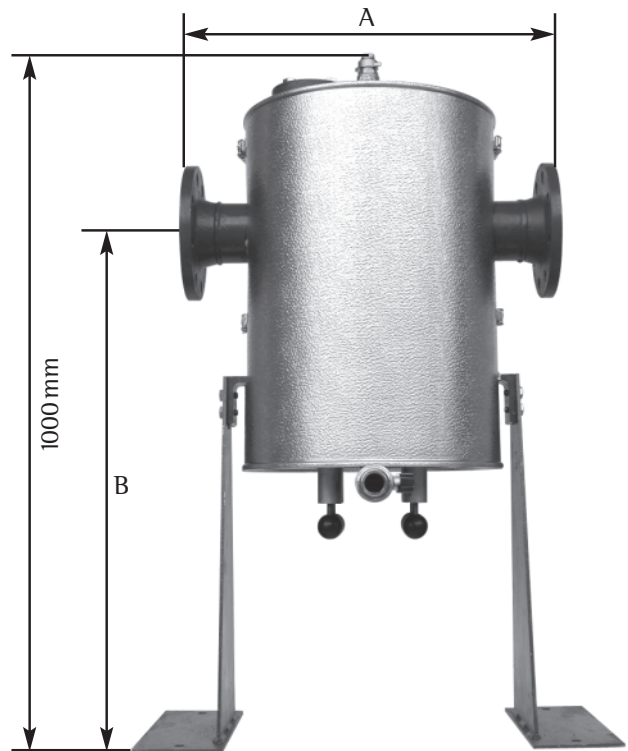
## Technical Specifications

Model	Water flow rate m <sup>3</sup> /h/USGPM	Width mm/inch	Pressure loss mbar/psi	Length mm/inch (A)	Flange height mm/inch (B)	Order no.
JFS-H DN 65	12/53	65/2.5"	1.2/1.74	535/21.4	730/29.2	8055050
JFS-K DN 65						8055056
JFS-H DN 80	17/75	80/3.0"	1.8/2.61	545/21.8	720/28.8	8055051
JFS-K DN 80						8055057
JFS-H DN 100	30/132	100/4.0"	2.2/3.19	545/21.8	708/28.3	8055052
JFS-K DN 100						8055058
JFS-H DN 125	50/220	125/5.0"	3.2/4.64	555/22.2	695/27.8	8055053
JFS-K DN 125						8055059
JFS-H DN 150	80/352	150/6.0"	4.0/5.8	555/22.2	681/27.2	8055054
JFS-K DN 150						8055060
JFS-H DN 200	130/573	200/8.0"	5.0/7.25	575/23	655/26.2	8055055
JFS-K DN 200						8055061

\*Overall height 1000 mm PN 10/ 145 psi

Delivery:

# JFS 65-200



Model JFS-H (diagram with insulation)

## Important note:

To ensure correct cleaning, when back-washing with the intrinsic media one shutoff valve is required on the inlet of the FERROCLEAN. When back-washing with raw water by way of the integrated raw water connection, shutoff valves are required on the inlet and outlet of the FERROCLEAN, as well as a back-flow preventer on the incoming water supply. We recommend that you use the JUDO HEIFI-FÜL top-up unit, incorporating a back-flow preventer (order no. 8060040, risk class up to 4). If required, a by-pass should be provided to ensure uninterrupted operation.

## Insulation for JUDO FERROCLEAN sludge separator

Model	Insulation thickness	Order no.
JFS-H DN 65	2.5"	8055066
JFS-H DN 80	3.0"	8055065
JFS-H DN 100	4.0"	8055064
JFS-H DN 125	5.0"	8055063
JFS-H DN 150	6.0"	8055062
JFS-H DN 200	8.0"	8055067

All rights reserved in respect of incorrect information and technical changes.

1930920 · Po · WD



JUDO Wasseraufbereitung GmbH  
 Postfach 380 · D-71351 Winnenden  
 Tel. +49 (0) 71 95/6 92-0  
 Fax +49 (0) 71 95/6 92-110  
 e-mail: export@judo-online.de  
 www.judo-online.de